

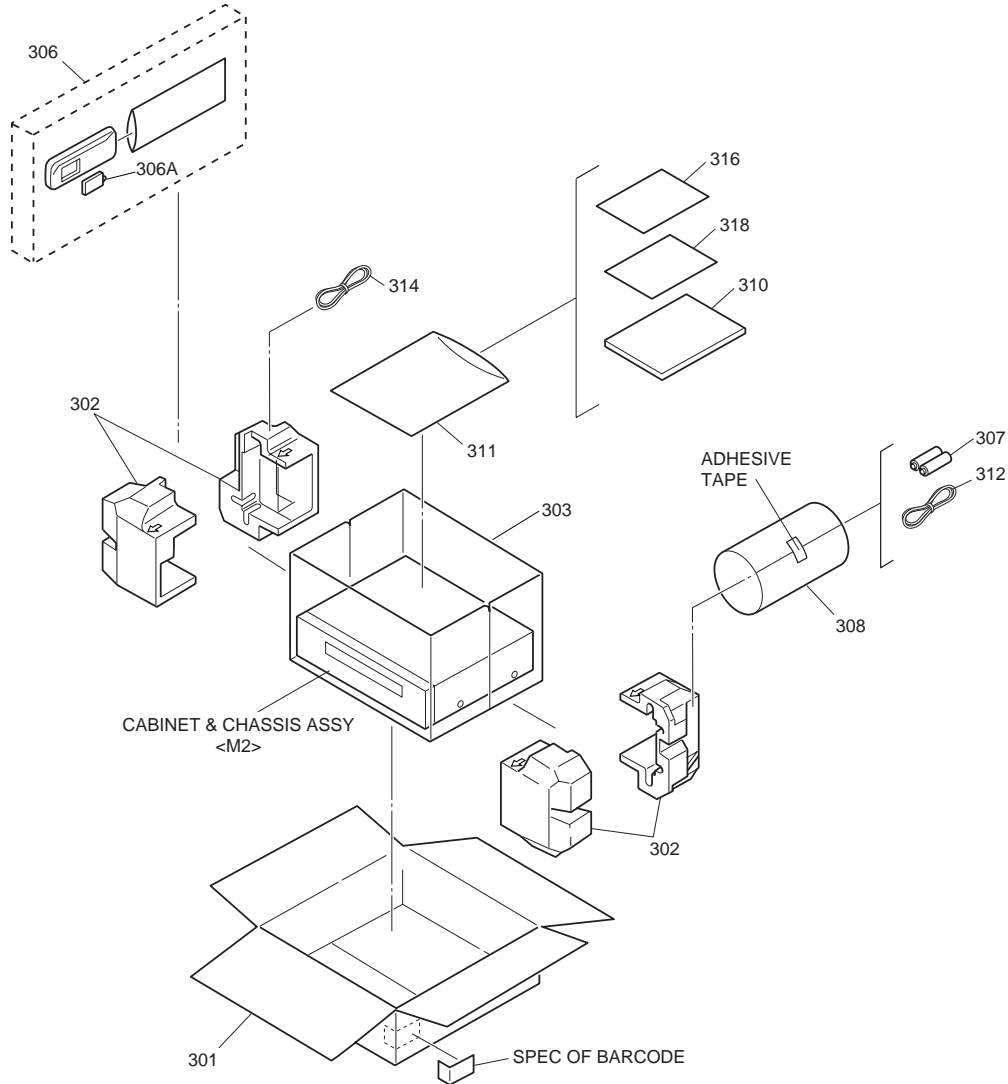
SECTION 5 PARTS LIST

SAFETY PRECAUTION

Parts identified by the \triangle symbol are critical for safety. Replace only with specified part numbers.

5.1 PACKING AND ACCESSORY ASSEMBLY <M1>

The instruction manual to be provided with this product will differ according to the destination.



\triangle REF No. PART No. PART NAME, DESCRIPTION

PACKING AND ACCESSORY ASSEMBLY <M1>

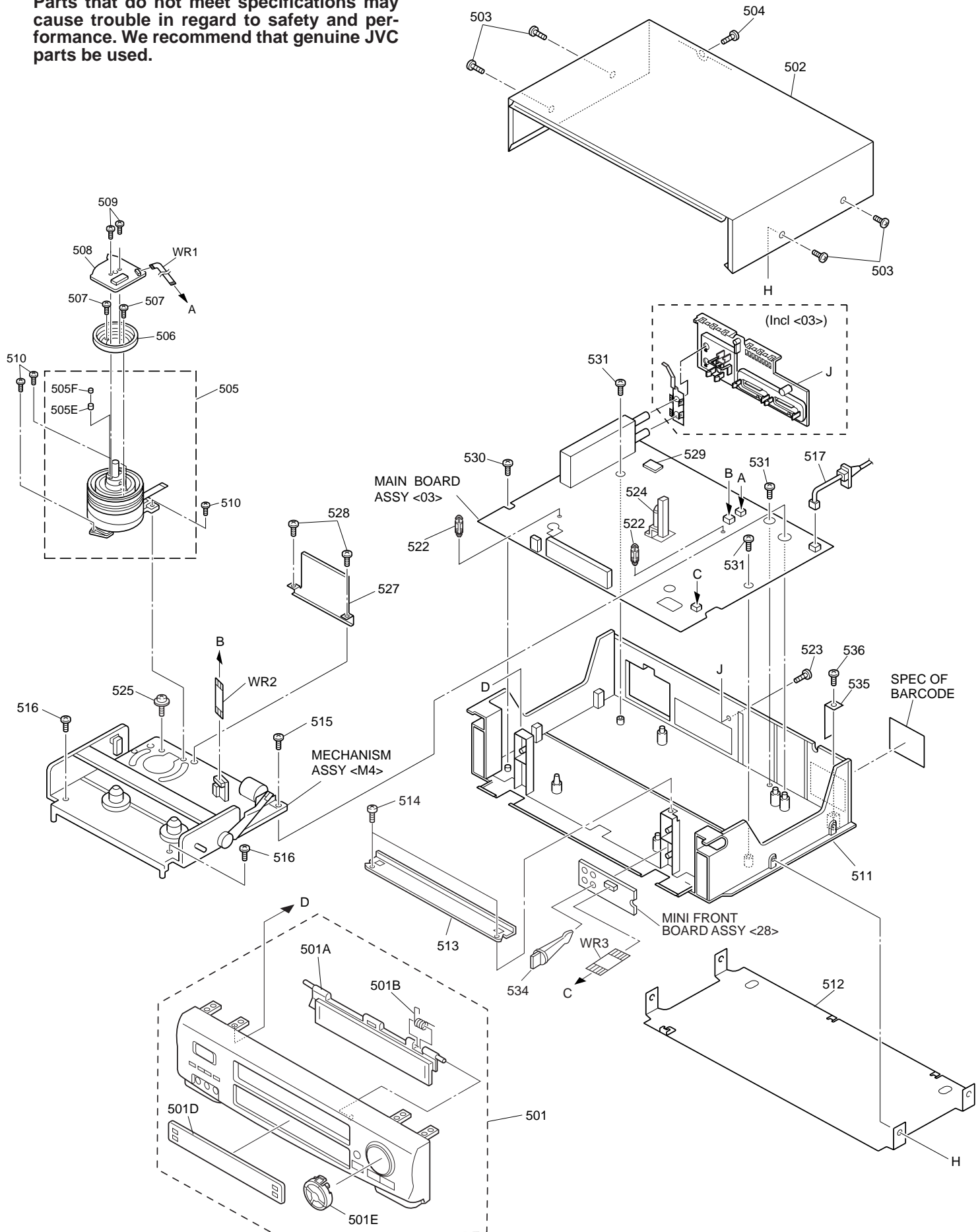
# \triangle	REF No.	PART No.	PART NAME, DESCRIPTION
	301	LP30897-001A	PACKING CASE
	302	LP30898-001A	CUSHION ASSY
	303	PQM30021-93	POLY BAG
	306	LP20878-002A	REMOTE CONTROLLER
	306A	LP40610-002A	COVER(BATTERY)
	307	—	BATTERY,X2("R6"TYPE)
	308	QPC02202230P	POLY BAG
\triangle	310	LPT0490-001A	INST.BOOK(FR),J480MS
\triangle		LPT0566-001A	INST.BOOK(EN),J480EU
\triangle		LPT0566-002A	INST.BOOK(GE),J480EU
\triangle		LPT0566-003A	INST.BOOK(FR),J480EU
\triangle		LPT0566-004A	INST.BOOK(DU),J480EU
\triangle		LPT0566-005A	INST.BOOK(SP),J480EU

# \triangle	REF No.	PART No.	PART NAME, DESCRIPTION
\triangle		LPT0566-006A	INST.BOOK(IT),J480EU
\triangle		LPT0566-007A	INST.BOOK(DA),J480EU
\triangle		LPT0566-008A	INST.BOOK(FI),J480EU
\triangle		LPT0566-009A	INST.BOOK(SW),J480EU
\triangle		LPT0566-010A	INST.BOOK(NO),J480EU
\triangle		LPT0566-011A	INST.BOOK(PT),J480EU
\triangle		LPT0566-012A	INST.BOOK(GR),J480EU
\triangle		LPT0566-013A	INST.BOOK(CZ),J480EU
\triangle		LPT0566-014A	INST.BOOK(PO),J480EU
\triangle		LPT0566-015A	INST.BOOK(HU),J480EU
	311	QPC02503530P	POLY BAG
	312	PEAC0300-02	RF CABLE
	314	QAM0238-003	PERI CABLE,J480MS
	316	BT-54013-2	WARRANTY CARD,J480EU
	318	BT-54008-2	GUARANTY CARD,J480MS

5.2 FINAL ASSEMBLY <M2>

BEWARE OF BOGUS PARTS

Parts that do not meet specifications may cause trouble in regard to safety and performance. We recommend that genuine JVC parts be used.



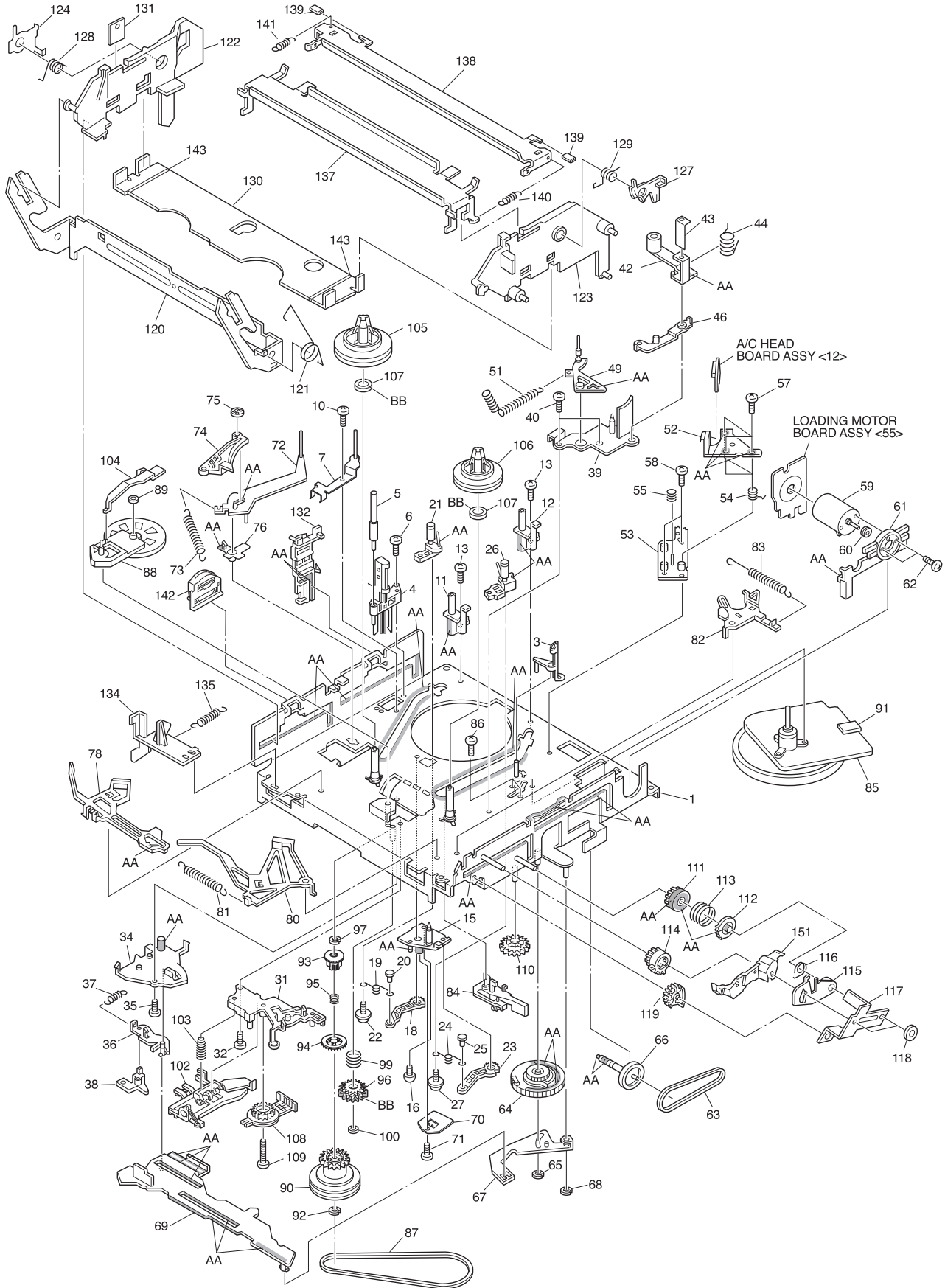
△ REF No. PART No. PART NAME, DESCRIPTION

△ REF No. PART No. PART NAME, DESCRIPTION

FINAL ASSEMBLY <M2>

△	501	LP10293-030B	FRONT PANEL ASSY,J480EU
△		LP10293-031B	FRONT PANEL ASSY,J480MS
	501A	LP20868-031A	CASSETTE DOOR
	501B	PQ46448	TORSION SPRING
	501D	LP20869-086B	DISPLAY WINDOW,J480EU
		LP20869-087B	DISPLAY WINDOW,J480MS
	501E	LP30649-005A	ORNAMENT
△	502	PQ11898-52-23	TOP COVER
	503	QYTDSF3010R	SCREW,X4, TOP COVER(SIDE)
	504	QYTDSF3010M	SCREW, TOP COVER(REAR)
	505	LP20981-007A	DRUM SUB ASSY,J480EU
		LP20981-008A	DRUM SUB ASSY,J480MS
	505E	LP40323-001A	CONTACT
	505F	LP30004-014A	COMPRESSION SPRING
	506	PDZ0179-1-4	ROTOR ASSY
	507	QYSPSP3006Z	SCREW,X2
△	508	QAR0169-002	STATOR ASSY
	509	QYSPSPH2606Z	SCREW,X2
	510	QYTDST2610Z	SCREW,X3,DRUM
△	511	LP21026-001B	BOTTOM CHASSIS
△	512	PQ11899-3-7	BOTTOM COVER
	513	LP30312-001B	BRACKET(CHASSIS)
	514	QYTDSF3010Z	SCREW,X2,BRACKET(CHASSIS)
	515	QYTDSF4012Z	SCREW,MECHA
	516	QYTDSF3010Z	SCREW,X2,MECHA
△	517	QMP4A10-170	POWER CORD
	522	LP40226-001A	PC SUPPORT,X2
	523	QYTDSF3010M	SCREW,TERMINAL BOARD
	524	LP40253-001B	STOPPER,MECHA
	525	PQ40413	SPECIAL SCREW,MECHA
	527	LP30356-002C	DRUM SHIELD
	528	QYTDST2606Z	SCREW,X2,DRUM SHIELD
	529	LP30002-042A	SPACER
	530	QYTDSF3010Z	SCREW,MAIN
	531	DPSF3010Z	SCREW,X3,MAIN
	534	LP40628-001B	PC SUPPORT,MINI FRONT
	535	LP40854-001A	BRACKET
	536	QYTDSF3010Z	SCREW,BRACKET
	WR1	QUQ212-0518CG	FFC WIRE,DRUM
	WR2	WJT0005-001A	E-CARD WIRE,A/C HEAD
	WR3	QUQ112-0914CG	FFC WIRE,MINI FRONT

5.3 MECHANISM ASSEMBLY <M4>



Classification	Part No.	Symbol in drawing
Grease	KYODO-SH-P	AA
Oil	COSMO-HV56	BB

NOTE:The section marked in **AA** and **BB** indicate lubrication and greasing areas.

#	△	REF No.	PART No.	PART NAME, DESCRIPTION	#	△	REF No.	PART No.	PART NAME, DESCRIPTION

MECHANISM ASSEMBLY <M4>									
1			LP20821-006A	MAIN DECK ASSY	75			PQ46302-1-3	ADJUST PIN
3			LP30492-002B	GUIDE POLE GUARD	76			LP30232-002A	TENSION ARM BEARING
4			NAH0001-001	FULL ERASE HEAD	78			LP40532-008B	MAIN BRAKE ASSY (SUPPLY)
5			LP40098-001B	GUIDE POLE(SUPPLY)	80			LP40111-011A	MAIN BRAKE ASSY (TAKE UP)
6			QYTDST2608Z	SCREW,FE HEAD	81			LP30003-026A	TENSION SPRING
7			LP40637-002A	TENSION STUD BASE ASSY	82			LP40112-001F	SUB BRAKE ASSY(TAKE UP)
10			QYTDST2606Z	SCREW	83			LP40357-002A	TENSION SPRING
11			LP30409-002C	UV CATCHER 2	84			LP40461-001A	CAPSTAN BRAKE ASSY
12			LP30409-002C	UV CATCHER 2	85			QAR0087-005	CAPSTAN MOTOR
13			QYTPST2606Z	SCREW,X2	86			QYTDSEF2606M	SCREW,X3
15			LP30223-003C	LOADING ARM GEAR SHAFT	87			LP30005-007A	BELT,CAPSTAN MOTOR
16			QYTDST2606Z	SCREW	88			LP40114-012A	IDLER ARM ASSY
18			LP30224-001B	LOADING ARM GEAR(SUPPLY)	89			LP40599-001A	WASHER
19			LP40099-001A	TORSION ARM	90			LP40593-001A	CLUTCH UNIT 3
20			LP40100-001A	PIN	91			LP30002-097A	SPACER,CAPSTAN MOTOR
21			LP40101-006A	POLE BASE ASSY(SUPPLY)	92			PQM30017-47	SLIT WASHER
22			QYSPSTG2606Z	SCREW	93			LP30696-002A	CLUTCH GEAR 4
23			LP40103-002B	LOADING ARM GEAR(TAKE UP)	94			LP30697-003A	COUPLING GEAR
24			LP40099-001A	TORSION ARM	95			LP40554-002A	COMPRESSION SPRING
25			LP40100-001A	PIN	96			LP40442-001A	DIRECT GEAR
26			LP40104-006A	POLE BASE ASSY(TAKE UP)	97			LP30017-019A	SPACER
27			QYSPSTG2606Z	SCREW	99			LP40483-002A	COMPRESSION SPRING
31			LP20233-004B	ROTARY ENCODER GUIDE	100			LP30016-001A	SLIT WASHER
32			QYTPST2606Z	SCREW	102			LP40484-001J	CHANGE LEVER ASSY
34			LP30226-004E	CONTROL PLATE GUIDE	103			LP40512-002B	COMPRESSION SPRING
35			QYTPST2605Z	SCREW	104			LP30236-002C	IDLER LEVER
36			LP30249-003B	TAKE UP LEVER	105			LP20237-001B	REEL DISK (SUPPLY)
37			LP30003-006A	TENSION SPRING	106			LP20238-001B	REEL DISK (TAKE UP)
38			LP40119-002A	TAKE UP HEAD	107			LP30017-015A	SPACER,X2
39			LP20234-004B	LID GUIDE	108			QSW0554-003	ROTARY ENCODER
40			QYTDST2606Z	SCREW,X2	109			QYTPST2620Z	SCREW
42			LP40105-003A	PINCH ROLLER ARM ASSY	110			LP30237-002B	CASSETTE GEAR
43			LP40753-001A	PINCH ROLLER SHEET3	111			LP30239-002G	LIMIT GEAR(1)
44			LP40148-002A	TORSION SPRING	112			LP30240-002G	LIMIT GEAR(2)
46			LP40149-001C	PRESS LEVER ASSY	113			LP40136-001E	TORSION SPRING
49			LP40106-007A	GUIDE ARM ASSY	114			LP30242-002A	RELAY GEAR
51			LP40134-002A	TENSION SPRING	115			LP30339-002E	OPENER GUIDE
52			QAH0058-001	AC HEAD	116			LP40545-001A	TORSION SPRING
53			LP30228-001A	HEAD BASE	117			LP40214-001B	C.H.BRACKET
54			LP30004-013A	COMPRESSION SPRING,X3	118			PQM30017-47	SLIT WASHER,X2
55			LP40236-001A	COMPRESSION SPRING	119			LP30243-001D	DRIVE GEAR
57			LP40213-002B	SPECIAL SCREW,X3	120			LP20240-001G	DRIVE ARM
58			QYTDST2608Z	SCREW,X2	121			LP40137-001A	TORSION SPRING
59			QAR0023-001	LOADING MOTOR	122			LP10081-002L	SIDE HOLDER(L)
60			PQ43546-1-2	MOTOR PULLEY	123			LP10082-002M	SIDE HOLDER(R)
61			LP30230-001B	MOTOR GUIDE	124			LP30255-006A	LOCK LEVER(L)
62			QYTPSP3003Z	SCREW,X2	127			LP30256-001H	LOCK LEVER(R)
63			LP30005-003A	BELT,LOADING MOTOR	128			LP40168-003A	TORSION SPRING(L)
64			LP20791-002D	CONTROL CAM	129			LP40218-001B	TORSION SPRING(R)
65			PQM30017-24	SLIT WASHER	130			LP30257-001G	CASSETTE HOLDER
66			LP40120-001A	WORM GEAR	131			LP40852-001A	EARTH PLATE
67			LP40107-002A	LINK LEVER ASSY	132			LP30244-002G	GUIDE RAIL
68			PQM30017-24	SLIT WASHER	134			LP30245-002F	REC SAFETY LEVER
69			LP10201-003E	CONTROL PLATE	135			LP30003-004A	TENSION SPRING
70			LP40379-001B	CONTROL BRACKET(1)	137			LP20578-001C	TOP GUIDE
71			QYTDSEF2608M	SCREW	138			LP30500-001C	HOLD PLATE
72			LP40108-002A	TENSION ARM ASSY	139			LP40450-003A	PAD,X2
73			LP30003-010A	TENSION SPRING	140			LP30003-025B	TENSION SPRING
74			LP40109-003D	TENSION BRAKE ASSY	141			LP30003-024A	TENSION SPRING
					142			LP40481-003A	ROLLER CAM ASSY
					143			LP30019-014A	PAD,X2
					151			LP20324-003B	DOOR OPENER

5.4 ELECTRICAL PARTS LIST

#	△ REF No.	PART No.	PART NAME, DESCRIPTION

MAIN BOARD ASSEMBLY <03>			
PW1		LPA10131-03C1	MAIN BOARD ASSY,J480EU
		LPA10131-12A1	MAIN BOARD ASSY,J480MS
IC1		JCP8021-MVD-2	IC
IC201		LC74775-9750	IC
IC301		LA7358	IC,J480MS
IC3001		HD6432194SXD03F	IC,J480MS
		HD6432194SXD14F	IC,J480EU
		or HD64F2194FD14	IC,J480MS
		or HD64F2194FD03	IC,J480EU
IC3002		IC-PST3427U-X	IC
IC3003		AT24C16N-10SC-X	IC
		or BR24C16F	IC
		or X24C16S	IC
		or 24LC16B/SN-X	IC
IC3004		BA6956AN	IC
IC5301		L5431	IC
		or MM1431AT	IC
IC7001		PT6956	IC
IC7002		GP1U291Q	IR DETECT UNIT
		or PIC-28143LJ	IR DETECT UNIT
		or PNA4652M00YC	IR DETECT UNIT
		or PIC-37143LJ	IR DETECT UNIT
IC7101		MM1443XJ	IC
Q21		2SA1576A/QR/-X	TRANSISTOR,J480MS
		or 2PA1576/R/-X	TRANSISTOR,J480MS
Q23		2SA1576A/QR/-X	TRANSISTOR
		or 2PA1576/R/-X	TRANSISTOR
Q34		2SA1576A/QR/-X	TRANSISTOR,J480MS
		or 2PA1576/R/-X	TRANSISTOR,J480MS
Q38		2SC4081/QRS/-X	TRANSISTOR
Q41		UN521E	TRANSISTOR
		or DTC144WU	TRANSISTOR
		or RN1309	TRANSISTOR
Q201		2SC4081/QRS/-X	TRANSISTOR
		or 2PC4081/R/-X	TRANSISTOR
Q301		2SA1576A/QR/-X	TRANSISTOR,J480MS
		or 2PA1576/R/-X	TRANSISTOR,J480MS
Q302		DTA144WU	TRANSISTOR,J480MS
		or PDTA144WU	DIGI TRANSISTORMJ480MS
		or RN2309	TRANSISTOR,J480MS
		or UN511E	TRANSISTOR,J480MS
Q2001		2SC4081/QRS/-X	TRANSISTOR
		or 2PC4081/R/-X	TRANSISTOR
		or 2SD1819A/QRS/-X	TRANSISTOR
Q2002		2SC4081/QRS/-X	TRANSISTOR
		or 2SD1819A/QRS/-X	TRANSISTOR
		or 2PC4081/R/-X	TRANSISTOR
Q2003		DTA144WU	TRANSISTOR
		or PDTA144WU	TRANSISTOR
		or RN2309	TRANSISTOR
		or UN511E	TRANSISTOR
Q2006		2SC4081/QRS/-X	TRANSISTOR
		or 2PC4081/R/-X	TRANSISTOR
		or 2SD1819A/QRS/-X	TRANSISTOR
Q2051		2SC4081/QRS/-X	TRANSISTOR
		or 2SD1819A/QRS/-X	TRANSISTOR
		or 2PC4081/R/-X	TRANSISTOR

#	△ REF No.	PART No.	PART NAME, DESCRIPTION
Q2052		2SA1576A/QR/-X	TRANSISTOR
		or 2PA1576/R/-X	TRANSISTOR
		or 2SB1218A/QR/-X	TRANSISTOR
Q2053		DTC144WU	TRANSISTOR
		or PDTC144WU	TRANSISTOR
		or RN1309	TRANSISTOR
		or UN521E	TRANSISTOR
Q2054		2SA1576A/QR/-X	TRANSISTOR
		or 2SB1218A/QR/-X	TRANSISTOR
		or 2PA1576/R/-X	TRANSISTOR
Q2055		DTC144WU	TRANSISTOR
		or PDTC144WU	TRANSISTOR
		or RN1309	TRANSISTOR
		or UN521E	TRANSISTOR
Q3001		2SD1819A/QRS/-X	TRANSISTOR
		or 2SC4081/QRS/-X	TRANSISTOR
		or 2PC4081/R/-X	TRANSISTOR
Q3003		PTZ-NV16	PHOTO TRANSISTOR
		or PTZ-NV16A	PHOTO TRANSISTOR
Q3004		2SD1819A/QRS/-X	TRANSISTOR
		or 2SC4081/QRS/-X	TRANSISTOR
		or 2PC4081/R/-X	TRANSISTOR
Q3005		2SD1819A/QRS/-X	TRANSISTOR
		or 2PC4081/R/-X	TRANSISTOR
		or 2SC4081/QRS/-X	TRANSISTOR
Q3007		UN521E	TRANSISTOR
		or PDTC144WU	TRANSISTOR
		or RN1309	TRANSISTOR
		or DTC144WU	TRANSISTOR
Q4001		UN5211	TRANSISTOR
		or RN1302	TRANSISTOR
		or DTC114EU	TRANSISTOR
		or PDTC114EU	TRANSISTOR
Q5101		2SK2632-CB14	POWER MOS FET
		or 2SK2129	POWER MOS FET
		or 2SK2129-LT	POWER MOS FET
		or 2SK2632	POWER MOS FET
Q5102		2SD2144S/UV/-T	TRANSISTOR
Q5302		2SD2375/QP/	TRANSISTOR
Q5303		2SD1819A/RS/-X	TRANSISTOR
		or 2PC4081/R/-X	TRANSISTOR
		or 2SC4081/RS/-X	TRANSISTOR
Q5304		2SC3616/ML/-T	TRANSISTOR
Q5305		DTA114EU	TRANSISTOR
		or PDTA114EU	TRANSISTOR
		or RN2302	TRANSISTOR
		or UN5111	TRANSISTOR
Q5306		DTC114EU	TRANSISTOR
		or PDTC114EU	TRANSISTOR
		or RN1302	TRANSISTOR
		or UN5211	TRANSISTOR
Q5308		2SA1576A/RS/-X	TRANSISTOR
Q6030		2SB1218A/RS/-X	TRANSISTOR
Q6031		DTC114EU	TRANSISTOR
		or PDTC114EU	TRANSISTOR
		or RN1302	TRANSISTOR
		or UN5211	TRANSISTOR
Q6032		DTC114EU	TRANSISTOR
		or PDTC114EU	TRANSISTOR
		or UN5211	TRANSISTOR
		or RN1302	TRANSISTOR

#	REF No.	PART No.	PART NAME, DESCRIPTION		#	REF No.	PART No.	PART NAME, DESCRIPTION	
Q7001		DTA143TU	TRANSISTOR		D5207		AK04	DIODE	
Q7002		DTA143TU	TRANSISTOR				or 1S4	SB DIODE	
Q7003		DTA143TU	TRANSISTOR				or 11EQS04	SB DIODE	
Q7004		DTA143TU	TRANSISTOR		D5210		AU01Z	FR DIODE	
Q7005		DTA143TU	TRANSISTOR				or ERA18-02-T2	FR DIODE	
Q7101		2SB1218A/QRS/-X	TRANSISTOR				or 1SR153-400-T2	FR DIODE	
		or 2SA1576A/QRS/-X	TRANSISTOR				or 10ELS2	FR DIODE	
		or 2PA1576R/-X	TRANSISTOR				or PG104RS	FR DIODE	
Q7102		DTC144WU	TRANSISTOR		D5301		MTZJ15C	ZENER DIODE	
		or PDC144WU	TRANSISTOR,J480MS				or RD11ES/B3/-T2	ZENER DIODE	
		or RN1309	TRANSISTOR,J480MS		D5302		1SS133	DIODE	
		or UN521E	TRANSISTOR,J480MS				or 1SS270A	DIODE	
Q7106		2SA1576A/QRS/-X	TRANSISTOR		D5303		RD5.1JS/B2-T2	ZENER DIODE	
		or 2PA1576R/-X	TRANSISTOR				or MA4051N/M/-T2	ZENER DIODE	
Q7107		DTA144WU	TRANSISTOR		D5304		1SS133	DIODE	
		or PDTA144WU	TRANSISTOR				or 1SS270A	DIODE	
		or UN511E	TRANSISTOR		D5305		AK04	DIODE	
		or RN2309	TRANSISTOR				or 1S4	SB DIODE	
Q7108		DTC144WU	TRANSISTOR				or 11EQS04	SB DIODE	
		or PDC144WU	TRANSISTOR		D5307		QUY160-100Y	IM BUS WIRE	
		or RN1309	TRANSISTOR		D5308		MTZJ11C	ZENER DIODE	
		or UN521E	TRANSISTOR				or RD11ES/B3/-T2	ZENER DIODE	
Q7110		2SC4081/QRS/-X	TRANSISTOR		D5316		QUY160-100Y	IM BUS WIRE	
		or 2PC4081R/-X	TRANSISTOR		D6002		HZ30-2L-T2	ZENER DIODE	
		or 2SD1819A/QRS/-X	TRANSISTOR				or HZ30-2LTD	Z DIODE (M)	
D6		MTZJ5.6C	ZENER DIODE		D7101		1SS133	DIODE	
		or RD5.6ES/B3/-T2	ZENER DIODE		D7102		1SS133	DIODE	
D201		QRE141J-101Y	RESISTOR	100Ω, 1/4W	D7103		QUY160-100Y	IM BUS WIRE	
D202		QRE141J-101Y	RESISTOR	100Ω, 1/4W	D7105		MTZJ12C	ZENER DIODE	
D203		QRE141J-101Y	RESISTOR	100Ω, 1/4W			or RD12ES/B3/-T2	ZENER DIODE	
D3001		LNB2301L01VI	LE DIODE		D7106		MTZJ12C	ZENER DIODE	
D3002		1SS133	DIODE				or RD12ES/B3/-T2	ZENER DIODE	
		or 1SS270A	DIODE		R1		NRSA02J-682X	MG RESISTOR	6.8kΩ, 1/10W
D3003		RD39ES/B3/-T2	ZENER DIODE		R2		NRSA02J-152X	MG RESISTOR	1.5kΩ, 1/10W
		or MTZJ39C	ZENER DIODE		R3		NRSA02J-222X	MG RESISTOR,J480MS	2.2kΩ, 1/10W
D3004		11ES2	DIODE				NRSA02J-822X	MG RESISTOR,J480EU	8.2kΩ, 1/10W
		or 1A3G	DIODE		R5		NRSA02J-0R0X	MG RESISTOR	0Ω, 1/10W
D3005		11ES2	DIODE		R6		NRSA02J-273X	MG RESISTOR	27kΩ, 1/10W
		or 1A3G	DIODE		R7		NRSA02J-681X	MG RESISTOR	680Ω, 1/10W
D3008		1SS133	DIODE		R8		QRE141J-101Y	RESISTOR	100Ω, 1/4W
D4001		QUY153-050Y	IM BUS WIRE		R9		QRE141J-101Y	RESISTOR	100Ω, 1/4W
D4002		QUY153-050Y	IM BUS WIRE		R12		QRE141J-101Y	RESISTOR	100Ω, 1/4W
D5001		S1WB/A/60-4102	BRIDGE DIODE		R37		NRSA02J-0R0X	MG RESISTOR	0Ω, 1/10W
		or S1WB(A)60F4072X	BRIDGE DIODE		R46		NRSA02J-331X	MG RESISTOR	330Ω, 1/10W
		or S1WB/A/60-X	BRIDGE DIODE		R47		NRSA02J-821X	MG RESISTOR,J480MS	820Ω, 1/10W
D5101		AU01	FR DIODE		R48		NRSA02J-102X	MG RESISTOR,J480MS	1kΩ, 1/10W
		or ERA18-04-T2	FR DIODE		R50		NRSA02J-102X	MG RESISTOR	1kΩ, 1/10W
		or 1SR153-400-T2	FR DIODE		R72		NRSA02J-822X	MG RESISTOR,J480MS	8.2kΩ, 1/10W
		or 10ELS4	FR DIODE		R73		NRSA02J-122X	MG RESISTOR,J480MS	1.2kΩ, 1/10W
D5102		AU01	FR DIODE		R77		NRSA02J-103X	MG RESISTOR	10kΩ, 1/10W
		or ERA18-04-T2	FR DIODE		R90		NRSA02J-391X	MG RESISTOR	390Ω, 1/10W
		or 1SR153-400-T2	FR DIODE		R92		NRSA02J-152X	MG RESISTOR	1.5kΩ, 1/10W
		or 10ELS4	FR DIODE		R93		NRSA02J-222X	MG RESISTOR	2.2kΩ, 1/10W
D5103		1SS133	DIODE		R104		NRSA02J-682X	MG RESISTOR	6.8kΩ, 1/10W
		or 1SS270A	DIODE		R115		NRSA02J-102X	MG RESISTOR,J480MS	1kΩ, 1/10W
D5105		1SS133	DIODE		R116		NRSA02J-681X	MG RESISTOR,J480MS	680Ω, 1/10W
		or 1SS270A	DIODE		R202		NRSA02J-103X	MG RESISTOR	10kΩ, 1/10W
D5203		AU01Z	FR DIODE		R209		NRSA02J-512X	MG RESISTOR	5.1kΩ, 1/10W
		or 10ELS2	FR DIODE		R210		NRSA02J-182X	MG RESISTOR	1.8kΩ, 1/10W
D5204		AU01Z	FR DIODE		R211		NRSA02J-562X	MG RESISTOR	5.6kΩ, 1/10W
		or 10ELS2	FR DIODE		R213		NRSA02J-0R0X	MG RESISTOR	0Ω, 1/10W

#	△ REF No.	PART No.	PART NAME, DESCRIPTION	#	△ REF No.	PART No.	PART NAME, DESCRIPTION
R216		NRSA02J-103X	MG RESISTOR 10kΩ,1/10W	R3038		NRSA02J-0R0X	MG RESISTOR 0Ω,1/10W
R224		NRSA02J-681X	MG RESISTOR 680Ω,1/10W	R3039		QRE141J-102Y	RESISTOR 1kΩ,1/4W
R225		QUY160-100Y	IM BUS WIRE	R3041		NRSA02J-472X	MG RESISTOR 4.7kΩ,1/10W
R301		NRSA02J-273X	MG RESISTOR,J480MS 27kΩ,1/10W	R3042		QRE141J-102Y	RESISTOR 1kΩ,1/4W
R302		NRSA02J-124X	MG RESISTOR,J480MS 120kΩ,1/10W	R3047		NRSA02J-0R0X	MG RESISTOR 0Ω,1/10W
R303		NRSA02J-273X	MG RESISTOR,J480MS 27kΩ,1/10W	R3048		NRSA02J-0R0X	MG RESISTOR 0Ω,1/10W
R304		NRSA02J-682X	MG RESISTOR,J480MS 6.8kΩ,1/10W	R3049		NRSA02J-101X	MG RESISTOR 100Ω,1/10W
R305		NRSA02J-473X	MG RESISTOR,J480MS 47kΩ,1/10W	R3050		NRSA02J-101X	MG RESISTOR 100Ω,1/10W
R306		NRSA02J-273X	MG RESISTOR,J480MS 27kΩ,1/10W	R3052		NRSA02J-471X	MG RESISTOR 470Ω,1/10W
R307		QRE141J-222Y	RESISTOR,J480MS 2.2kΩ,1/4W	R3053		NRSA02J-471X	MG RESISTOR 470Ω,1/10W
R308		NRSA02J-222X	MG RESISTOR,J480MS 2.2kΩ,1/10W	R3054		NRSA02J-0R0X	MG RESISTOR 0Ω,1/10W
R309		NRSA02J-821X	MG RESISTOR,J480MS 820kΩ,1/10W	R3055		NRSA02J-102X	MG RESISTOR 1kΩ,1/10W
R310		NRSA02J-223X	MG RESISTOR,J480MS 22kΩ,1/10W	R3058		NRSA02J-102X	MG RESISTOR 1kΩ,1/10W
R311		NRSA02J-392X	MG RESISTOR,J480MS 3.9kΩ,1/10W	R3059		NRSA02J-102X	MG RESISTOR 1kΩ,1/10W
R312		NRSA02J-272X	MG RESISTOR,J480MS 2.7kΩ,1/10W	R3060		NRSA02J-102X	MG RESISTOR 1kΩ,1/10W
R313		NRSA02J-223X	MG RESISTOR,J480MS 22kΩ,1/10W	R3061		NRSA02J-102X	MG RESISTOR 1kΩ,1/10W
R314		NRVA02D-243X	CMF RESISTOR,J480MS 24kΩ,1/10W	R3062		NRSA02J-103X	MG RESISTOR 10kΩ,1/10W
R315		NRSA02J-564X	MG RESISTOR,J480MS 560kΩ,1/10W	R3066		NRSA02J-102X	MG RESISTOR 1kΩ,1/10W
R316		NRSA02J-224X	MG RESISTOR,J480MS 220kΩ,1/10W	R3069		NRSA02J-101X	MG RESISTOR 100Ω,1/10W
R329		NRSA02J-0R0X	MG RESISTOR,J480MS 0Ω,1/10W	R3071		NRSA02J-103X	MG RESISTOR 10kΩ,1/10W
R2001		QRE141J-101Y	RESISTOR,J480EU 100Ω,1/4W	R3072		NRSA02J-102X	MG RESISTOR 1kΩ,1/10W
R2003		NRSA02J-101X	MG RESISTOR 100Ω,1/10W	R3073		NRSA02J-102X	MG RESISTOR 1kΩ,1/10W
R2004		NRSA02J-472X	MG RESISTOR 4.7kΩ,1/10W	R3074		QRE141J-102Y	RESISTOR 1kΩ,1/4W
R2007		NRSA02J-393X	MG RESISTOR 39kΩ,1/10W	R3075		NRSA02J-101X	MG RESISTOR 100Ω,1/10W
R2010		NRSA02J-472X	MG RESISTOR 4.7kΩ,1/10W	R3076		NRSA02J-101X	MG RESISTOR 100Ω,1/10W
R2013		NRSA02J-682X	MG RESISTOR 6.8kΩ,1/10W	R3077		NRSA02J-0R0X	MG RESISTOR 0Ω,1/10W
R2014		NRSA02J-224X	MG RESISTOR 220kΩ,1/10W	R3078		NRSA02J-0R0X	MG RESISTOR 0Ω,1/10W
R2015		NRSA02J-181X	MG RESISTOR 180Ω,1/10W	R3079		NRSA02J-102X	MG RESISTOR,J480MS 1kΩ,1/10W
R2016		NRSA02J-393X	MG RESISTOR 39kΩ,1/10W	R3081		NRSA02J-102X	MG RESISTOR 1kΩ,1/10W
R2017		NRSA02J-183X	MG RESISTOR 18kΩ,1/10W	R3083		NRSA02J-102X	MG RESISTOR,J480MS 1kΩ,1/10W
R2018		NRSA02J-472X	MG RESISTOR 4.7kΩ,1/10W	R3085		NRSA02J-102X	MG RESISTOR 1kΩ,1/10W
R2019		NRSA02J-472X	MG RESISTOR 4.7kΩ,1/10W	R3086		NRSA02J-102X	MG RESISTOR 1kΩ,1/10W
R2022		NRSA02J-562X	MG RESISTOR 5.6kΩ,1/10W	R3088		QUY160-100Y	IM BUS WIRE
R2053		NRSA02J-472X	MG RESISTOR 4.7kΩ,1/10W	R3089		NRSA02J-0R0X	MG RESISTOR 0Ω,1/10W
R2054		NRSA02J-123X	MG RESISTOR 12kΩ,1/10W	R3090		QRE141J-102Y	RESISTOR,J480EU 1kΩ,1/4W
R2055		NRSA02J-3R3X	MG RESISTOR 3.3kΩ,1/10W	R3093		QUY160-100Y	IM BUS WIRE
R2056		QRE141J-820Y	RESISTOR 82Ω,1/4W	R3094		NRSA02J-102X	MG RESISTOR,J480MS 1kΩ,1/10W
R2057		NRSA02J-473X	MG RESISTOR 47kΩ,1/10W	R3095		NRSA02J-102X	MG RESISTOR,J480MS 1kΩ,1/10W
R2058		NRSA02J-183X	MG RESISTOR 18kΩ,1/10W	R3104		NRSA02J-0R0X	MG RESISTOR 0Ω,1/10W
R2059		NRSA02J-473X	MG RESISTOR 47kΩ,1/10W	R3105		NRSA02J-0R0X	MG RESISTOR 0Ω,1/10W
R2060		NRSA02J-183X	MG RESISTOR 18kΩ,1/10W	R3201		NRSA02J-103X	MG RESISTOR 10kΩ,1/10W
R3013		NRSA02J-472X	MG RESISTOR 4.7kΩ,1/10W	R3202		NRSA02J-472X	MG RESISTOR 4.7kΩ,1/10W
R3015		NRSA02J-472X	MG RESISTOR 4.7kΩ,1/10W	R3203		NRSA02J-103X	MG RESISTOR 10kΩ,1/10W
R3016		NRSA02J-102X	MG RESISTOR 1kΩ,1/10W	R3204		NRSA02J-222X	MG RESISTOR 2.2kΩ,1/10W
R3018		NRSA02J-102X	MG RESISTOR 1kΩ,1/10W	R3205		QRE141J-181Y	RESISTOR 180Ω,1/4W
R3019		NRSA02J-682X	MG RESISTOR 6.8kΩ,1/10W	R3207		NRSA02J-183X	MG RESISTOR 18kΩ,1/10W
R3020		NRSA02J-472X	MG RESISTOR 4.7kΩ,1/10W	R3208		QRE141J-181Y	RESISTOR 180Ω,1/4W
R3021		NRSA02J-472X	MG RESISTOR 4.7kΩ,1/10W	R3209		QRE141J-273Y	RESISTOR 27kΩ,1/4W
R3022		NRSA02J-472X	MG RESISTOR 4.7kΩ,1/10W	R3210		NRSA02J-181X	MG RESISTOR 180Ω,1/10W
R3026		NRSA02J-0R0X	MG RESISTOR 0Ω,1/10W	R3211		NRSA02J-273X	MG RESISTOR 27kΩ,1/10W
R3027		NRSA02J-0R0X	MG RESISTOR 0Ω,1/10W	R3212		NRSA02J-474X	MG RESISTOR 470kΩ,1/10W
R3028		NRSA02J-0R0X	MG RESISTOR 0Ω,1/10W	R3213		NRSA02J-334X	MG RESISTOR 330kΩ,1/10W
R3029		QRE141J-472Y	RESISTOR 4.7kΩ,1/4W	R3214		NRSA02J-103X	MG RESISTOR 10kΩ,1/10W
R3030		NRSA02J-472X	MG RESISTOR 4.7kΩ,1/10W	R3215		NRSA02J-103X	MG RESISTOR 10kΩ,1/10W
R3031		NRSA02J-472X	MG RESISTOR 4.7kΩ,1/10W	R3216		NRSA02J-103X	MG RESISTOR 10kΩ,1/10W
R3032		NRSA02J-472X	MG RESISTOR 4.7kΩ,1/10W	R3217		NRSA02J-562X	MG RESISTOR 5.6kΩ,1/10W
R3033		NRSA02J-0R0X	MG RESISTOR 0Ω,1/10W	R3218		QRE141J-472Y	RESISTOR 4.7kΩ,1/4W
R3034		QUY160-100Y	IM BUS WIRE	R3219		NRSA02J-472X	MG RESISTOR 4.7kΩ,1/10W
R3035		NRSA02J-0R0X	MG RESISTOR 0Ω,1/10W	R3220		NRSA02J-104X	MG RESISTOR 100kΩ,1/10W
R3036		NRSA02J-0R0X	MG RESISTOR 0Ω,1/10W	R3222		NRSA02J-103X	MG RESISTOR 10kΩ,1/10W
R3037		NRSA02J-0R0X	MG RESISTOR 0Ω,1/10W	R3223		NRSA02J-152X	MG RESISTOR 1.5kΩ,1/10W

#	△	REF No.	PART No.	PART NAME, DESCRIPTION	#	△	REF No.	PART No.	PART NAME, DESCRIPTION	
R3224			NRSA02J-152X	MG RESISTOR	1.5kΩ,1/10W	R6032		NRSA02J-223X	MG RESISTOR,J480MS	22kΩ,1/10W
R3225			NRSA02J-103X	MG RESISTOR	10kΩ,1/10W			NRSA02J-472X	MG RESISTOR,J480EU	4.7kΩ,1/10W
R3226			NRSA02J-103X	MG RESISTOR	10kΩ,1/10W	R6033		NRSA02J-153X	MG RESISTOR,J480MS	15kΩ,1/10W
R3227			NRSA02J-103X	MG RESISTOR	10kΩ,1/10W			NRSA02J-182X	MG RESISTOR,J480EU	1.8kΩ,1/10W
R3229			NRSA02J-105X	MG RESISTOR	1MΩ,1/10W	R6050		QRE141J-101Y	RESISTOR,J480EU	100Ω,1/4W
R3230			NRSA02J-472X	MG RESISTOR	4.7kΩ,1/10W	R6051		NRSA02J-101X	MG RESISTOR,J480EU	100Ω,1/10W
R3231			NRSA02J-102X	MG RESISTOR	1kΩ,1/10W	R6052		NRSA02J-101X	MG RESISTOR,J480EU	100Ω,1/10W
R3232			NRSA02J-472X	MG RESISTOR	4.7kΩ,1/10W	R7001		NRSA02J-331X	MG RESISTOR	330Ω,1/10W
R3234			QRE141J-103Y	RESISTOR	10kΩ,1/4W	R7015		NRSA02J-0R0X	MG RESISTOR	0Ω,1/10W
R3235			NRSA02J-332X	MG RESISTOR	3.3kΩ,1/10W	R7020		NRSA02J-103X	MG RESISTOR	10kΩ,1/10W
R3236			NRSA02J-332X	MG RESISTOR	3.3kΩ,1/10W	R7021		NRSA02J-122X	MG RESISTOR	1.2kΩ,1/10W
R3240			NRSA02J-105X	MG RESISTOR	1MΩ,1/10W	R7022		NRSA02J-182X	MG RESISTOR	1.8kΩ,1/10W
R4003			NRSA02J-561X	MG RESISTOR	560Ω,1/10W	R7023		NRSA02J-222X	MG RESISTOR	2.2kΩ,1/10W
R4004			NRSA02J-561X	MG RESISTOR	560Ω,1/10W	R7024		NRSA02J-272X	MG RESISTOR	2.7kΩ,1/10W
R4005			NRSA02J-562X	MG RESISTOR	5.6kΩ,1/10W	R7030		NRSA02J-103X	MG RESISTOR	10kΩ,1/10W
R4007			QRE141J-102Y	RESISTOR	1kΩ,1/4W	R7031		NRSA02J-122X	MG RESISTOR	1.2kΩ,1/10W
R4008			NRSA02J-0R0X	MG RESISTOR	0Ω,1/10W	R7032		NRSA02J-182X	MG RESISTOR	1.8kΩ,1/10W
R4009			NRSA02J-102X	MG RESISTOR	1kΩ,1/10W	R7033		NRSA02J-222X	MG RESISTOR	2.2kΩ,1/10W
R4010			NRSA02J-102X	MG RESISTOR	1kΩ,1/10W	R7034		NRSA02J-0R0X	MG RESISTOR	0Ω,1/10W
R4011			NRSA02J-472X	MG RESISTOR	4.7kΩ,1/10W	R7037		NRSA02J-563X	MG RESISTOR	56kΩ,1/10W
R4012			NRSA02J-222X	MG RESISTOR	2.2kΩ,1/10W	R7101		NRSA63J-473X	MG RESISTOR	47kΩ,1/16W
R4013			NRSA02J-102X	MG RESISTOR	1kΩ,1/10W	R7102		NRSA63J-102X	MG RESISTOR	1kΩ,1/16W
R4014			NRSA02J-0R0X	MG RESISTOR	0Ω,1/10W	R7103		NRSA02J-750X	MG RESISTOR	75Ω,1/10W
R4015			NRSA02J-562X	MG RESISTOR	5.6kΩ,1/10W	R7105		NRSA02J-682X	MG RESISTOR	6.8kΩ,1/10W
R4017			NRSA02J-102X	MG RESISTOR	1kΩ,1/10W	R7106		NRSA02J-682X	MG RESISTOR	6.8kΩ,1/10W
R4018			NRSA02J-102X	MG RESISTOR	1kΩ,1/10W	R7108		QRE141J-750Y	RESISTOR	75Ω,1/4W
R4019			NRSA02J-103X	MG RESISTOR	10kΩ,1/10W	R7111		NRSA02J-101X	MG RESISTOR	100Ω,1/10W
R4020			QRE141J-103Y	RESISTOR	10kΩ,1/4W	R7112		NRSA02J-331X	MG RESISTOR	330Ω,1/10W
R4021			NRSA02J-103X	MG RESISTOR	10kΩ,1/10W	R7113		NRSA02J-750X	MG RESISTOR	75Ω,1/10W
R5101			QRE141J-334Y	RESISTOR	330kΩ,1/4W	R7114		NRSA02J-682X	MG RESISTOR	6.8kΩ,1/10W
R5102			QRE141J-334Y	RESISTOR	330kΩ,1/4W	R7115		NRSA02J-682X	MG RESISTOR	6.8kΩ,1/10W
R5103			QRE141J-683Y	RESISTOR	68kΩ,1/4W	R7117		QRE141J-750Y	RESISTOR	75Ω,1/4W
R5104			QRG02GJ-683	OMF RESISTOR	68kΩ,2W	R7120		NQL402M-4R7X	COIL	4.7μH
R5106			QRT01DJ-R39X	MF RESISTOR	0.39Ω,1W	R7131		NRSA02J-331X	MG RESISTOR	330Ω,1/10W
R5107			QRE121J-331Y	RESISTOR	330Ω,1/2W	R7133		QRE141J-471Y	RESISTOR	470Ω,1/4W
R5108			NRSA02J-152X	MG RESISTOR	1.5kΩ,1/10W	R7134		NRSA02J-471X	MG RESISTOR	470Ω,1/10W
R5109			QRE141J-681Y	RESISTOR	680Ω,1/4W	R7135		NQR0148-002X	FERRITE BEAD	
R5110			NRSA02J-224X	MG RESISTOR	220kΩ,1/10W	R7136		NQR0148-002X	FERRITE BEAD	
R5111			NRSA02J-681X	MG RESISTOR	680Ω,1/10W	R7137		NRSA02J-102X	MG RESISTOR	1kΩ,1/10W
R5112			NRSA02J-221X	MG RESISTOR	220Ω,1/10W	R7140		NRSA02J-101X	MG RESISTOR	100Ω,1/10W
R5301			NRSA02J-472X	MG RESISTOR	4.7kΩ,1/10W	R7144		NRSA02J-681X	MG RESISTOR	680Ω,1/10W
R5302			NRSA02J-102X	MG RESISTOR	1kΩ,1/10W	R7146		NRSA02J-102X	MG RESISTOR	1kΩ,1/10W
R5303			NRSA02J-122X	MG RESISTOR	1.2kΩ,1/10W	R7147		NRSA02J-222X	MG RESISTOR	2.2kΩ,1/10W
R5304			NRSA02J-471X	MG RESISTOR	470Ω,1/10W	R7149		NRSA02J-101X	MG RESISTOR	100Ω,1/10W
R5305			NRSA02J-102X	MG RESISTOR	1kΩ,1/10W	R7150		NRSA02J-101X	MG RESISTOR	100Ω,1/10W
R5306			NRSA02J-471X	MG RESISTOR	470Ω,1/10W	R7163		NRSA02J-750X	MG RESISTOR	75Ω,1/10W
R5308			NRSA02J-471X	MG RESISTOR	470Ω,1/10W	R7205		NRSA02J-223X	MG RESISTOR	22kΩ,1/10W
R5309			NRSA02J-103X	MG RESISTOR	10kΩ,1/10W	B5		NRSA02J-0R0X	MG RESISTOR	0Ω,1/10W
R5310			NRSA02J-471X	MG RESISTOR	470Ω,1/10W	B22		NRSA02J-0R0X	MG RESISTOR,J480MS	0Ω,1/10W
R5311			NRSA02J-473X	MG RESISTOR	47kΩ,1/10W	B24		NRSA02J-0R0X	MG RESISTOR	0Ω,1/10W
R5312			QRE141J-332Y	RESISTOR	3.3kΩ,1/4W	B28		NRSA02J-0R0X	MG RESISTOR	0Ω,1/10W
R5313			NRSA02D-332X	MG RESISTOR	3.3kΩ,1/10W	B35		NRSA02J-0R0X	MG RESISTOR,J480EU	0Ω,1/10W
R5314			NRSA02J-102X	MG RESISTOR	1kΩ,1/10W	B71		NRSA02J-0R0X	MG RESISTOR	0Ω,1/10W
R5316			NRSA02D-123X	MG RESISTOR	12kΩ,1/10W	B204		NRSA02J-0R0X	MG RESISTOR	0Ω,1/10W
R5317			NRSA02J-473X	MG RESISTOR	47kΩ,1/10W	B2001		QUY160-060Y	IM BUS WIRE,J480EU	
R5320			NRSA02J-273X	MG RESISTOR	27kΩ,1/10W	B2051		NRSA02J-0R0X	MG RESISTOR	0Ω,1/10W
R5321			QRE141J-273Y	RESISTOR	27kΩ,1/4W	B3002		QUY153-050Y	IM BUS WIRE	
R6020			NRSA02J-102X	MG RESISTOR	1kΩ,1/10W	B3004		NRSA02J-0R0X	MG RESISTOR,J480EU	0Ω,1/10W
R6021			NRSA02J-102X	MG RESISTOR	1kΩ,1/10W	B3005		NRSA02J-0R0X	MG RESISTOR	0Ω,1/10W
R6030			NRSA02J-102X	MG RESISTOR	1kΩ,1/10W	B5302		QUY153-050Y	IM BUS WIRE	
R6031			NRSA02J-271X	MG RESISTOR	270Ω,1/10W	B7002		NRSA02J-0R0X	MG RESISTOR	0Ω,1/10W

#	△ REF No.	PART No.	PART NAME, DESCRIPTION	#	△ REF No.	PART No.	PART NAME, DESCRIPTION
B7005		NRSA02J-0R0X	MG RESISTOR 0Ω,1/10W	C206		NDC21HJ-330X	CAPACITOR 33pF,50V
B7006		NRSA02J-0R0X	MG RESISTOR 0Ω,1/10W	C207		NDC21HJ-330X	CAPACITOR 33pF,50V
B7009		NRSA02J-0R0X	MG RESISTOR 0Ω,1/10W	C209		NCB21CK-474X	CAPACITOR 0.47μF,16V
B7106		NRSA02J-0R0X	MG RESISTOR 0Ω,1/10W	C212		NCB21EK-104X	CAPACITOR 0.1μF,25V
B7108		NRSA02J-0R0X	MG RESISTOR 0Ω,1/10W	C213		QERF1HM-475	E CAPACITOR 4.7μF,50V
B7118		NRSA02J-0R0X	MG RESISTOR 0Ω,1/10W	C214		NCB21CK-224X	CAPACITOR 0.22μF,16V
B7120		NRSA02J-0R0X	MG RESISTOR 0Ω,1/10W	C215		NCB21CK-224X	CAPACITOR 0.22μF,16V
C1		NCB21EK-104X	CAPACITOR 0.1μF,25V	C216		QERF1AM-227	E CAPACITOR 220μF,10V
C2		NCB21EK-104X	CAPACITOR 0.1μF,25V	C217		NDC21HJ-560X	CAPACITOR 56pF,50V
C3		NCB21EK-104X	CAPACITOR 0.1μF,25V	C218		NCB21CK-105X	CAPACITOR 1μF,16V
C4		NCB21EK-104X	CAPACITOR 0.1μF,25V	C222		QERF1HM-105	E CAPACITOR 1μF,50V
C5		QEKJ0JM-227	E CAPACITOR 220μF,6.3V	C226		QERF0JM-107	E CAPACITOR 100μF,6.3V
C6		NCB21EK-104X	CAPACITOR 0.1μF,25V	C301		NDC21HJ-151X	CAPACITOR,J480MS 150pF,50V
C8		NCB21EK-473X	CAPACITOR 0.047μF,25V	C302		QEKJ1HM-225	E CAPACITOR,J480MS 2.2μF,50V
C10		NDC21HJ-151X	CAPACITOR 150pF,50V	C303		NCB21HK-682X	CAPACITOR,J480MS 0.0068μF,50V
C11		NCB21EK-104X	CAPACITOR 0.1μF,25V	C304		NCB21HK-682X	CAPACITOR,J480MS 0.0068μF,50V
C12		NDC21HJ-470X	CAPACITOR,J480EU 47pF,50V	C305		NCB21HK-103X	CAPACITOR,J480MS 0.01μF,50V
		NDC21HJ-8R0X	CAPACITOR,J480MS 8pF,50V	C306		QEKJ0JM-476	E CAPACITOR,J480MS 47μF,6.3V
C14		NCB21EK-104X	CAPACITOR 0.1μF,25V	C307		NDC21HJ-151X	CAPACITOR,J480MS 150pF,50V
C15		NCB21HK-103X	CAPACITOR 0.01μF,50V	C308		NCB21HK-103X	CAPACITOR,J480MS 0.01μF,50V
C16		NCB21EK-104X	CAPACITOR 0.1μF,25V	C309		NCB21EK-104X	CAPACITOR,J480MS 0.1μF,25V
C17		QEKJ1HM-335	E CAPACITOR 3.3μF,50V	C310		NCB21HK-103X	CAPACITOR,J480MS 0.01μF,50V
C19		QEKJ1HM-225	E CAPACITOR 2.2μF,50V	C311		NCB21HK-103X	CAPACITOR,J480MS 0.01μF,50V
C20		QEQF1HM-105	NP E CAPACITOR 1μF,50V	C312		NCB21HK-102X	CAPACITOR,J480MS 0.001μF,50V
C21		NCB21EK-104X	CAPACITOR 0.1μF,25V	C313		QERF1HM-474	E CAPACITOR,J480MS 0.47μF,50V
C22		QEKJ0JM-476	E CAPACITOR 47μF,6.3V	C314		NCB21HK-471X	CAPACITOR,J480MS 470pF,50V
C23		NCB21EK-104X	CAPACITOR 0.1μF,25V	C315		QERF1CM-106	E CAPACITOR,J480MS 10μF,16V
C24		NCB21EK-104X	CAPACITOR 0.1μF,25V	C316		NCB21HK-103X	CAPACITOR,J480MS 0.01μF,50V
C25		NDC21HJ-6R0X	CAPACITOR 6pF,50V	C317		NCB21HK-681X	CAPACITOR,J480MS 680pF,50V
C27		NCB21EK-223X	CAPACITOR 0.022μF,25V	C318		NCB21EK-223X	CAPACITOR,J480MS 0.022μF,25V
C28		QEKJ1HM-335	E CAPACITOR 3.3μF,50V	C319		NCB21CK-105X	CAPACITOR,J480MS 1μF,16V
C29		NCB21EK-333X	CAPACITOR 0.033μF,25V	C320		NCB21HK-103X	CAPACITOR,J480MS 0.01μF,50V
C30		QEKJ1HM-474	E CAPACITOR 0.47μF,50V	C321		NDC21HG-301X	CAPACITOR,J480MS 300pF,50V
C31		QEKJ0JM-476	E CAPACITOR 47μF,6.3V	C322		NCB21CK-474X	CAPACITOR,J480MS 0.47μF,16V
C32		NCB21EK-104X	CAPACITOR 0.1μF,25V	C2001		QEKJ1HM-475	E CAPACITOR 4.7μF,50V
C33		QEKJ1HM-225	E CAPACITOR 2.2μF,50V	C2002		QEKJ1HM-105	E CAPACITOR 1μF,50V
C34		NCB21CK-224X	CAPACITOR 0.22μF,16V	C2003		QEKJ0JM-476	E CAPACITOR 47μF,6.3V
C35		NCB21HK-103X	CAPACITOR 0.01μF,50V	C2005		QEKJ1HM-475	E CAPACITOR 4.7μF,50V
C36		QERF1EM-475	E CAPACITOR 4.7μF,25V	C2006		NCB21HK-123X	CAPACITOR 0.012μF,50V
C37		QEKJ1HM-105	E CAPACITOR 1μF,50V	C2007		QEKJ1CM-226	E CAPACITOR 22μF,16V
C38		QEKJ0JM-476	E CAPACITOR 47μF,6.3V	C2008		QEKJ1HM-475	E CAPACITOR 4.7μF,50V
C39		NCB21EK-104X	CAPACITOR 0.1μF,25V	C2009		NCB21HK-102X	CAPACITOR 0.001μF,50V
C40		QEKJ1EM-106	E CAPACITOR 10μF,25V	C2010		NCB21HK-152X	CAPACITOR 0.0015μF,50V
C53		NRSA02J-0R0X	MG RESISTOR 0Ω,1/10W	C2011		QEKJ1HM-475	E CAPACITOR 4.7μF,50V
C61		NCB21HK-103X	CAPACITOR,J480MS 0.01μF,50V	C2012		QEK1HM-475	E CAPACITOR 4.7μF,50V
C62		NCB21EK-104X	CAPACITOR 0.1μF,25V	C2016		NDC21HJ-330X	CAPACITOR 33pF,50V
C64		NDC21HJ-220X	CAPACITOR 22pF,50V	C2051		NCB21HK-331X	CAPACITOR 330pF,50V
C65		QEKJ1HM-105	E CAPACITOR 1μF,50V	C2052		QFLC1HJ-823Z	F CAPACITOR 0.082μF,50V
C79		NDC21HJ-390X	CAPACITOR,J480MS 39pF,50V	C2053		NCB21HK-472X	CAPACITOR 0.0047μF,50V
C81		NCB21HK-103X	CAPACITOR,J480EU 0.01μF,50V	C2054		NCB21EK-223X	CAPACITOR 0.022μF,25V
		NCB21HK-332X	CAPACITOR,J480MS 0.0033μF,50V	C2055		QEKJ1EM-106	E CAPACITOR 10μF,25V
C92		NDC21HJ-330X	CAPACITOR 33pF,50V	C3001		NCF21EZ-104X	CAPACITOR 0.1μF,25V
C94		NCB21HK-103X	CAPACITOR,J480MS 0.01μF,50V	C3002		NCB21HK-103X	CAPACITOR 0.01μF,50V
		NRSA02J-0R0X	MG RESISTOR,J480EU 0Ω,1/10W	C3003		QEKJ1HM-106	E CAPACITOR 10μF,50V
C95		NCB21HK-103X	CAPACITOR,J480MS 0.01μF,50V	C3004		NCB21EK-473X	CAPACITOR 0.047μF,25V
C106		NCB21HK-821X	CAPACITOR 820pF,50V	C3011		QETL0JM-338	E CAPACITOR 3300μF,6.3V
C108		NDC21HJ-680X	CAPACITOR 68pF,50V	C3012		QEKJ0JM-476	E CAPACITOR 47μF,6.3V
C109		NCB21CK-224X	CAPACITOR 0.22μF,16V	C3014		QERF0JM-476	E CAPACITOR 47μF,6.3V
C110		NDC21HJ-820X	CAPACITOR 82pF,50V	C3016		NCB21EK-473X	CAPACITOR 0.047μF,25V
C114		NDC21HJ-181X	CAPACITOR 180pF,50V	C3022		NCB21EK-473X	CAPACITOR 0.047μF,25V
C204		NDC21HJ-100X	CAPACITOR 10pF,50V	C3024		NDC21HJ-120X	CAPACITOR,J480MS 12pF,50V

#	△	REF No.	PART No.	PART NAME, DESCRIPTION	#	△	REF No.	PART No.	PART NAME, DESCRIPTION	
			NDC21HJ-220X	CAPACITOR,J480EU			C7012	NCB21HK-103X	CAPACITOR	0.01μF,50V
		C3025	QAT3725-300Z	TRIM CAPACITOR,J480EU			C7101	NCB21HK-681X	CAPACITOR	680pF,50V
		C3026	NCB21HK-103X	CAPACITOR			C7102	NCB21HK-681X	CAPACITOR	680pF,50V
		C3027	QEKJ1CM-106	E CAPACITOR			C7103	NCB21HK-102X	CAPACITOR	0.001μF,50V
		C3030	QEKJ0JM-476	E CAPACITOR			C7109	NCB21HK-681X	CAPACITOR	680pF,50V
		C3031	NCB21EK-473X	CAPACITOR			C7117	QUY153-050Y	IM BUS WIRE	
		C3032	NCB21EK-473X	CAPACITOR			C7128	QEKJ1CM-107	E CAPACITOR	100μF,16V
		C3033	NCB21EK-473X	CAPACITOR			C7129	NCB31CK-104X	CAPACITOR	0.1μF,16V
		C3036	NDC21HJ-180X	CAPACITOR			C7131	QUY153-050Y	IM BUS WIRE	
		C3037	NDC21HJ-120X	CAPACITOR			C7132	QETN1CM-107	E CAPACITOR	100μF,16V
		C3040	NCB21EK-473X	CAPACITOR			C7133	NCB21HK-103X	CAPACITOR	0.01μF,50V
		C3041	NDC21HJ-100X	CAPACITOR,J480MS			C7134	NCB31CK-473X	CAPACITOR	0.047μF,16V
		C3045	NDC21HJ-101X	CAPACITOR			C7135	NCB31CK-473X	CAPACITOR	0.047μF,16V
		C3050	NCF21EZ-104X	CAPACITOR			C7136	NCB31CK-473X	CAPACITOR	0.047μF,16V
		C3051	NCB21EK-104X	CAPACITOR			C7138	QEKJ1EM-106	E CAPACITOR	10μF,25V
		C3101	QER61CM-106	E CAPACITOR			C7139	QEKJ1CM-476	E CAPACITOR	47μF,16V
		C3201	NCB21HK-331X	CAPACITOR			C7140	QEKJ1EM-106	E CAPACITOR	10μF,25V
		C4002	QDYB1CM-103Y	CAPACITOR			C7141	QEKJ1EM-106	E CAPACITOR	10μF,25V
		C4003	NCB21HK-102X	CAPACITOR			C7149	QEKJ1HM-475	E CAPACITOR	4.7μF,50V
		C4004	QERF1CM-226	E CAPACITOR			C7150	QEKJ1EM-106	E CAPACITOR	10μF,25V
		C4005	NCB21HK-222X	CAPACITOR			C7151	QEKJ1EM-106	E CAPACITOR	10μF,25V
		C4006	QERF0JM-476	E CAPACITOR			C7152	NCB21EK-473X	CAPACITOR	0.047μF,25V
		C4008	QEQF1HM-105	NP E CAPACITOR			C7153	NDC21HJ-330X	CAPACITOR	33pF,50V
		C4009	NCB21HK-563X	CAPACITOR			C7154	QEKJ1EM-106	E CAPACITOR	10μF,25V
		C4010	NCB21EK-223X	CAPACITOR			C7168	NCB21HK-102X	CAPACITOR	0.001μF,50V
		C4011	NCB21EK-104X	CAPACITOR			C7171	NCB21HK-561X	CAPACITOR	560pF,50V
		C4012	QERF1HM-105	E CAPACITOR			C7172	NDC21HJ-101X	CAPACITOR	100pF,50V
		C4013	NCB21HK-563X	CAPACITOR			C7175	NCB21HK-561X	CAPACITOR	560pF,50V
		C4014	NDC21HJ-101X	CAPACITOR			L1	QQL29BJ-100Z	COIL	10μH
		C4015	NCB21HK-102X	CAPACITOR			L2	QQL071J-221Y	COIL,J480MS	220μH
		C4016	NDC21HJ-101X	CAPACITOR				QUY153-050Y	IM BUS WIRE,J480EU	
△		C5001	QFZ9073-683	F CAPACITOR			L3	QQL29BJ-100Z	COIL	10μH
△		C5002	QFZ9051-333	F CAPACITOR			L4	QQL29BJ-100Z	COIL	10μH
△		C5004	QCZ9071-222	CAPACITOR			L5	QQL29BJ-100Z	COIL	10μH
		C5006	QEZ0375-686	E CAPACITOR			L12	QQR0967-001	COIL	
		C5101	QCZ0212-472	CAPACITOR			L13	QQL071J-330Y	COIL	33μH
		C5102	QCZ0302-330Z	CAPACITOR			L14	QQL29BJ-101Z	COIL,J480MS	100μH
		C5104	QEK1HM-105	E CAPACITOR			L22	QQL231J-1R0Y	COIL	1.0μH
		C5105	QFN31HJ-183	F CAPACITOR			L24	QQL071J-270Y	COIL	27μH
		C5106	QCB1HJ-271	CAPACITOR			L27	QQL071J-330Y	COIL	33μH
		C5107	QFV91HJ-104	F CAPACITOR			L28	QQL071J-680Y	COIL	68μH
		C5202	QEMT1CM-687	E CAPACITOR			L201	QQL29BK-1R0Z	COIL	1.0μH
		C5203	QEMT1AM-128	E CAPACITOR			L202	QQL071J-330Y	COIL	33μH
		C5204	QETN2AM-475	E CAPACITOR			L203	QQL29BJ-220Z	COIL	22μH
		C5206	QETN1AM-476	E CAPACITOR			L204	QUY153-050Y	IM BUS WIRE	
		C5207	QETN1CM-107	E CAPACITOR			L206	QQL071J-220Y	COIL	22μH
		C5301	QEKJ1CM-107	E CAPACITOR			L207	QUY153-050Y	IM BUS WIRE	
		C5302	QETJ1CM-107	E CAPACITOR			L301	QQL29BJ-100Z	COIL,J480MS	10μH
		C5303	QEKJ1CM-107	E CAPACITOR			L302	QQL29BJ-6R8Z	COIL,J480MS	6.8μH
		C5304	QFLC1HJ-102Z	F CAPACITOR			L303	QQL231J-270Y	COIL,J480MS	27μH
		C5305	QFV91HJ-154	F CAPACITOR			L2001	QUY153-050Y	IM BUS WIRE	
		C6007	QEK0JM-227	E CAPACITOR			L3101	QQL29BJ-100Z	COIL	10μH
		C6012	QEKJ1AM-107	E CAPACITOR			L5201	PELN1184	COIL	33μH
		C6013	NCB21HK-103X	CAPACITOR			L5202	PELN1184	COIL	33μH
		C6023	NRSA02J-0R0X	MG RESISTOR			L6001	QQL29BK-1R0Z	COIL,J480MS	1.0μH
		C6027	NCB21HK-103X	CAPACITOR				QUY153-050Y	IM BUS WIRE,J480EU	
		C6032	NCB21EK-473X	CAPACITOR,J480EU			L6003	QQL29BJ-470Z	COIL	47μH
		C6037	QEKJ1CM-106	E CAPACITOR			L7101	NRSA02J-0R0X	MG RESISTOR	0Ω,1/10W
		C7001	NCB21HK-103X	CAPACITOR			L7102	NRSA02J-0R0X	MG RESISTOR	0Ω,1/10W
		C7002	QEKJ0JM-476	E CAPACITOR			L7106	QQL231J-1R0Y	COIL	1.0μH
		C7011	QEKJ0JM-227	E CAPACITOR			L7107	QQL01BJ-100Z	COIL	10μH

#	△ REF No.	PART No.	PART NAME, DESCRIPTION
	X1	QAX0576-001Z	CRYSTAL RESONATOR
	X3001	QAX0444-001	CRYSTAL RESONATOR,J480MS
		QAX0445-001	CRYSTAL RESONATOR,J480EU
	X3002	QAX0527-001	CRYSTAL RESONATOR
	S3001	QSW0602-004	PUSH SWITCH,REC SAFETY
	S7001	QSW0456-002Z	TACT SWITCH,STAND-BY
	S7002	QSW0456-002Z	TACT SWITCH,TIMER
	S7004	QSW0456-002Z	TACT SWITCH,CH-
	S7006	QSW0456-002Z	TACT SWITCH,CH+
	S7010	QSW0456-002Z	TACT SWITCH,DISPLAY
	S7011	QSW0456-002Z	TACT SWITCH,REC
	S7013	QSW0456-002Z	TACT SWITCH,PAUSE
	S7015	QSW0456-002Z	TACT SWITCH,STOP/EJECT
	S7016	QSW0456-002Z	TACT SWITCH,SAT.CTL.
	K2001	NQL103K-R10X	COIL 0.1μH
	K2002	NQL103K-R10X	COIL 0.1μH
	K2003	NQL103K-R10X	COIL 0.1μH
	K2004	NQL103K-R10X	COIL 0.1μH
	K5101	QQR0678-001Z	FERRITE BEAD
	K5102	QQR0678-001Z	FERRITE BEAD
	K6080	NRSA02J-102X	MG RESISTOR 1kΩ,1/10W
	K7001	NQR0403-003X	FERRITE BEAD
	PC3001	GP3S123	IC(PHOTO SENSOR)
	PC3002	GP3S123	IC(PHOTO SENSOR)
△	PC5101	PS2561L1-1/L/	IC(PHOTO COUPLER)
	T2051	PELN0832	OSC TRANSFORMER
△	T5001	QQS0083-001	SW TRANSFORMER
	TU6001	QAU0208-001	TUNER,J480EU
		QAU0210-001	TUNER,J480MS
	ET1	PQ21623-2-5	EARTH PLATE(RF)
	DI7001	LTG-Y2K16M-J	LE DIODE
	HS1	LP40090-001A	HEAT SINK,Q5101
	SD1	LP21033-001A	SHIELD CASE(PRE)
	OT1	QYTDST3006Z	SCREW,Q5101
△	TB1	LP20317-001C	TERM.BOARD(PAL)
	FC5001	QNG0006-001Z	FUSE CLIP,F5001
	FC5002	QNG0006-001Z	FUSE CLIP,F5001
	J7101	PEMC1104	RGB21PIN SOCKET,AV1
	J7102	PEMC1104	RGB21PIN SOCKET,AV2
△	LF5001	PELN1204-01-01	LINE FILTER
△	LF5002	QQR0978-001	LINE FILTER
	WR7101	QRE141J-0R0	RESISTOR 0Ω,1/4W
	CN1	QGF1028C2-08	FPC CONNECTOR,(1-8)DRUM FPC
	CN2001	QGF1207C1-07	FPC CONNECTOR,(1-7)A/C HEAD
	CN2002	QGB2532J1-02	CONNECTOR,(1-2)FE HEAD
	CN3001	QGF1207C1-05	FPC CONNECTOR,(1-5)DRUM MDA
	CN3002	QGB2532J1-02	CONNECTOR,(1-2)LOADING MOTOR
	CN3003	QGB2015M2-08	CONNECTOR,(1-8)CAPSTAN MOTOR
	CN3004	QGB2534J2-04	CONNECTOR,(1-4)ROTARY ENCODER
△	CN5001	QGA7901C3-02	CONNECTOR,(1-2)AC IN
	CN7001	QGF1207C1-09	FPC CONNECTOR,(1-9)MINI FRONT
△	CP4001	ICP-N25	CIRCUIT PROTECTOR
△	CP5302	ICP-N25	CIRCUIT PROTECTOR
△	F5001	QMF51E2-2R0J1	FUSE T2.0A,AC250V

A/C HEAD BOARD ASSEMBLY <12>

PW1	LP10122-01A1	A/C HEAD BOARD ASSY
CN1	QGF1208F1-07	FPC CONNECTOR

#	△ REF No.	PART No.	PART NAME, DESCRIPTION

MINI FRONT BOARD ASSEMBLY <28>			
	PW1	LPA20005-01A	MINI FRONT BOARD ASSY
	R7043	QRE141J-272Y	RESISTOR 2.7kΩ,1/4W
	R7044	QRE141J-472Y	RESISTOR 4.7kΩ,1/4W
	R7045	QRE141J-682Y	RESISTOR 6.8kΩ,1/4W
	S7021	QSW0456-002Z	TACT SWITCH,REW
	S7022	QSW0456-002Z	TACT SWITCH,FF
	S7023	QSW0456-002Z	TACT SWITCH,PLAY
	CN7002	QGF1208C1-09	FPC CONNECTOR

LOADING MOTOR BOARD ASSEMBLY <55>

PW2	LP10122-01A2	LOADING MOTOR BOARD ASSY
CN1	QGB2533K1-02	CONNECTOR